

Detailed Edge

Form and function merge beautifully in our hand crafted vanity tops. All are made to your specifications in our Sacramento plant.

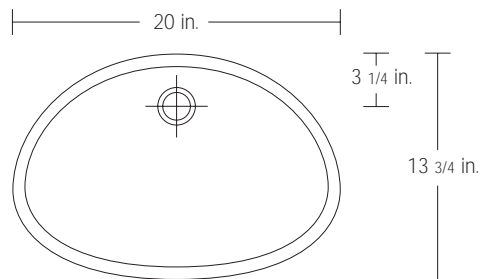
Morning sun spills through the slatted blinds, reflecting warmly off the soft earth tones of this Taupe granite top. The edge treatment of the integral Savannah bowl adds an understated design element to the long expanse of countertop.



CANADIAN OVAL

Minimum Depth of Cabinet: 20 in.
Minimum Depth of Vanity Top: 21 in.

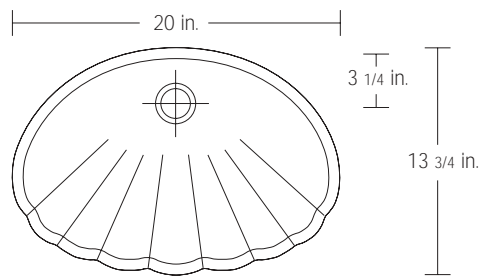
Bowl Color: Sand Granite.



CANADIAN SHELL

Minimum Depth of Cabinet: 20 in.
Minimum Depth of Vanity Top: 21 in.

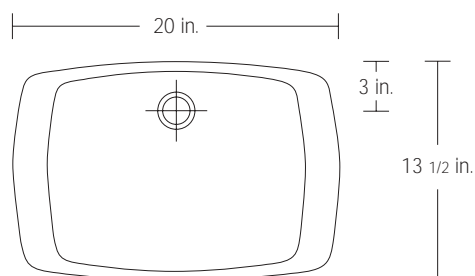
Bowl Color: Dark Navy Granite.



SAVANNAH

Minimum Depth of Cabinet: 20 in.
Minimum Depth of Vanity Top: 21 in.

Bowl Color: Gray Granite.



Fluted

Choose from a variety of material and color combinations to express the individuality of your home.

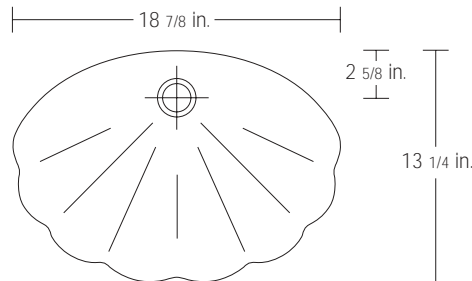
This Champagne granite top was cast using a form made from a template traced around the cabinet. The Sun Fluted bowl, cast in contrasting Solid White cultured marble, complements perfectly the lines of the ornate cabinet. Because the cabinet was only 16 in. deep, the faucets were set on an angle to gain the extra space for the bowl to



LARGE SHELL

Minimum Depth of Cabinet: 21 in.
Minimum Depth of Vanity Top: 22 in.

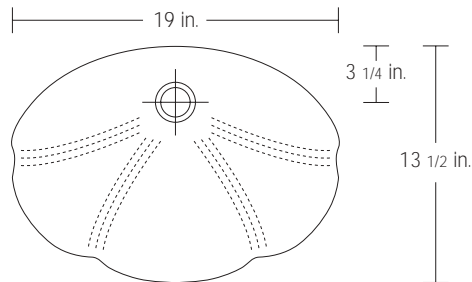
Bowl Color: Light Raspberry Granite.



LA PAZ

Minimum Depth of Cabinet: 20 in.
Minimum Depth of Vanity Top: 21 in.

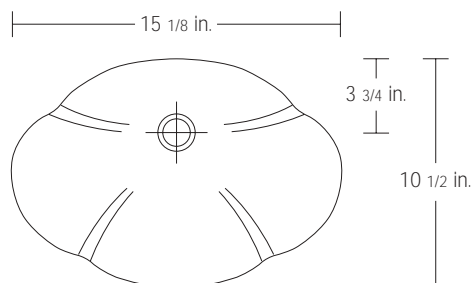
Bowl Color: Deep Green Light Granite.



SUN FLUTED

Minimum Depth of Cabinet: 18 in.
Minimum Depth of Vanity Top: 19 in.

Bowl Color: Light Navy Granite.



Oval

Actual sizes of finished products may vary slightly.

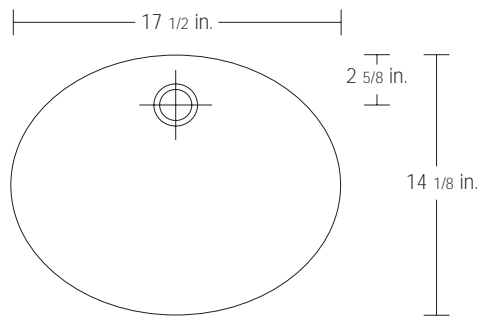
A top which extends over the toilet tank, as this one shown, is called a banjo. The Ventura bowl was cast in solid white cultured marble to match the wainscot used around the toilet area. The decorative green edge trim matches the top while a recessed paper holder, also of cultured marble, completes this installation.



LARGE OVAL

Minimum Depth of Cabinet: 21 in.
Minimum Depth of Vanity Top: 22 in.

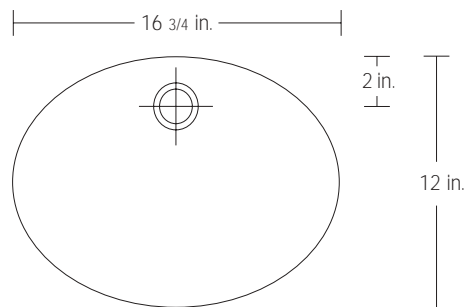
Bowl Color: Champagne Granite.



VENTURA

Minimum Depth of Cabinet: 19 in.
Minimum Depth of Vanity Top: 20 in.

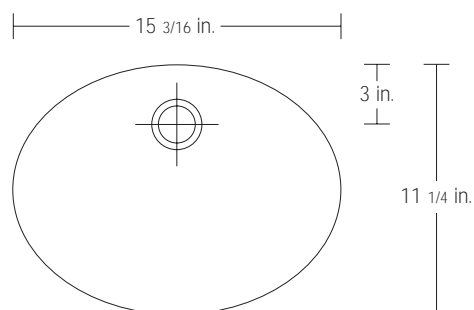
Bowl Color: Terra Nueva Granite.



CARMEL

Minimum Depth of Cabinet: 17 in.
Minimum Depth of Vanity Top: 18 in.

Bowl Color: Taupe Granite.



Drop in Bowls

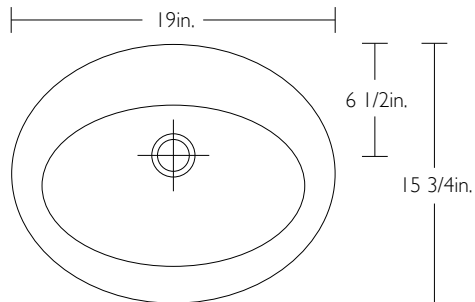
The raised edge of this Aquarius drop-in bowl adds dimension to the design while fitting easily into the compact cabinet. Both were cast in Natural with Fawn cultured marble for a warm neutral color scheme.



AQUARIUS

Minimum Depth of Cabinet: 19 1/2 in.
Minimum Depth of Vanity Top: 20 1/2 in.

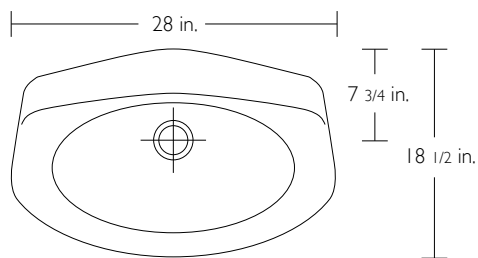
Bowl Color: **Light Merlot Granite.**



DELUXE OVAL

Minimum Depth of Cabinet: 20 in.
Minimum Depth of Vanity Top: 21 in.

Bowl Color: **Taupe Granite.**



Space Saver

Adding a "berry" bright color spot against the White on White cultured marble wainscot behind it, this Raspberry Reverse vanity top fits neatly on the 18" x 16" cabinet. The Redondo bowl, specifically designed for such compact cabinets, fits easily in the space.

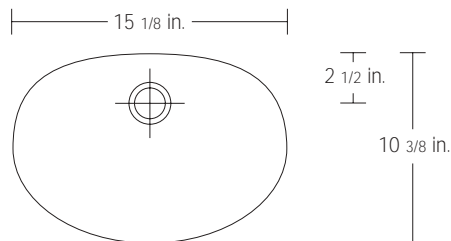


Before choosing your bowl style please note the minimum cabinet depths provided for each and be sure your cabinet will accommodate it!

REDONDO

Minimum Depth of Cabinet: 16 in.
Minimum Depth of Vanity Top: 17 in.

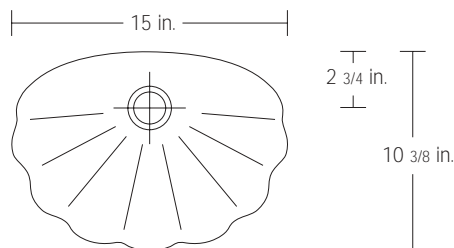
Bowl Color: Deep Green Dark Granite.



LANIKAI

Minimum Depth of Cabinet: 16 1/2 in.
Minimum Depth of Vanity Top: 17 1/2 in.

Bowl Color: Dark Merlot Granite.



Actual sizes of finished products may vary slightly.